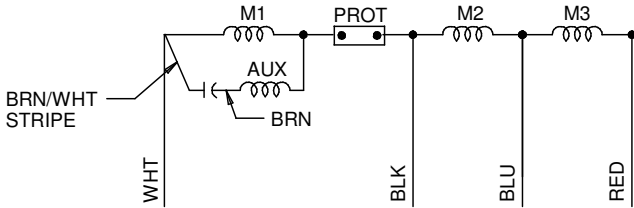
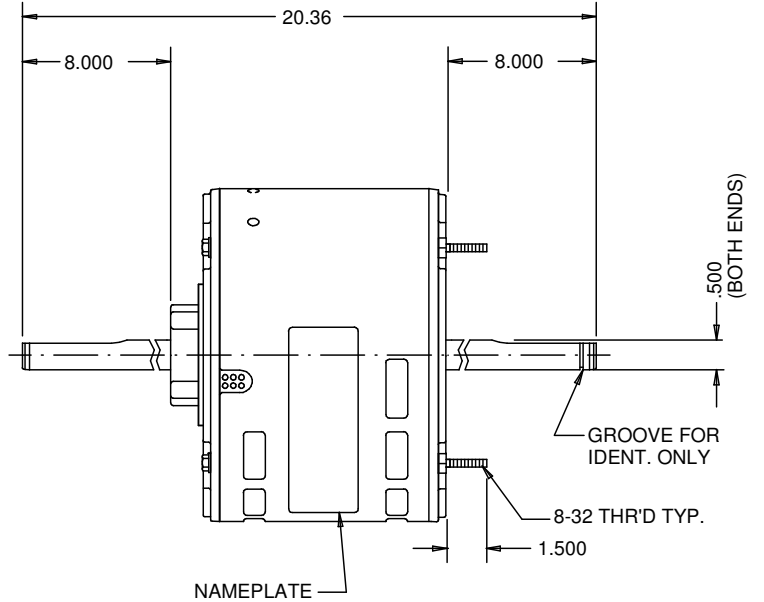
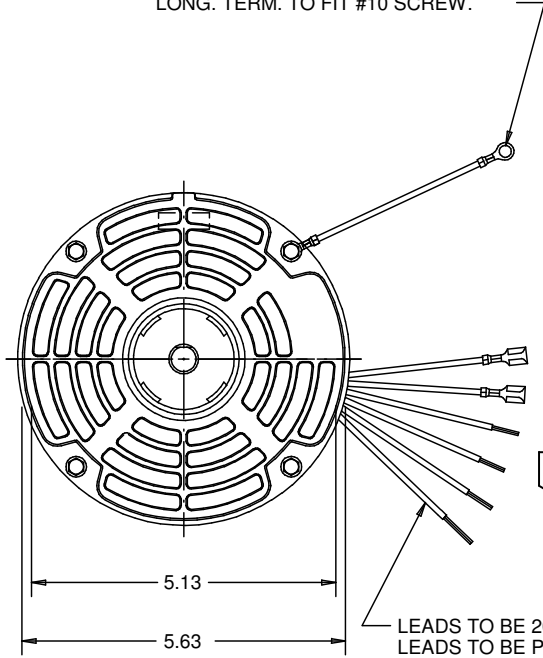


GREEN GROUND LEAD 6 INCHES LONG. TERM. TO FIT #10 SCREW.



COLOR CODE
 WHITE - COMMON
 BLACK - HIGH
 BLUE - MED
 RED - LOW
 BROWN - CAPAC.

USE WITH 4.0 MFD
 370-VAC CAPACITOR

NIDEC MOTOR CORPORATION 11-Aug-11

MODEL	REF	CUSTOMER	HP	VOLTS	AMPS	HZ	RPM	ROTATION	CUSTOMER PN
K55HXSPM-3149		STANDARD	1/6	230	1.5	60	1075/3 SPD	CCW LEAD END	3133

SHEET NUMBER	REV	REVISION RECORD FOR: C3922-00
1 OF 1	B	UPDATED LEADS
REVISION DATE		
10-AUG-11		

INFORMATION DISCLOSED ON THIS DOCUMENT IS CONSIDERED PROPRIETARY AND SHALL NOT BE REPRODUCED OR DISCLOSED WITHOUT WRITTEN CONSENT OF NIDEC MOTOR CORPORATION

NIDEC MOTOR CORPORATION

ALL DIMENSIONS ARE FOR REFERENCE ONLY UNLESS TOLERANCE IS GIVEN

ISSUED BY	REVIEWED BY	ENGINEER APPROVED
A. SANCHEZ	J. SALAZAR	J. SALAZAR

TITLE
ASSEMBLED VIEW

CODE	ITEM NO.	SIZE
V01	265794	A